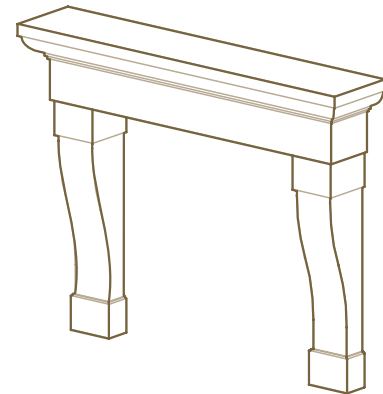
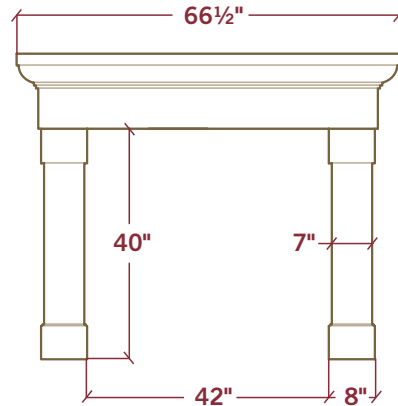
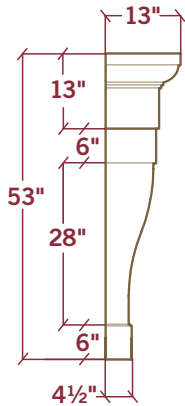


THE VALENTINA™

D I M E N S I O N S



Eldorado Fireplace Surrounds Ship Complete with the Following Contents:

- Stone Mantel & Legs
- Ledger Board & Screws
for Easy Install
- 3 Trim Panels with
"matching color/finish"
- Large Tube of
Color-Matched Caulking
- 3 oz Bottle of Color Wash
for Touch-Ups
- Large Tube of Adhesive
- Shims

Each Surround Ships Pre-Sealed

Trim Panels: 1 @ 5" x 42" & 2 @ 5" x 35"



Like an afternoon walk along a cypress-lined country road, this surround will imbue a sense of rustic Italian charm. The robust 13" deep mantel paired with two gently sloping pilasters completes its distinct presence.

Please contact us at **800.925.1491** for any questions regarding an

Eldorado Fireplace Surround. Our experienced team can assist you with questions ranging from product information, installation and design recommendations. We also encourage you to explore our website at www.eldoradostone.com/fireplaces.



Fireplaces Forged with the Heritage of Craftsmanship™

1.800.925.1491 | WWW.ELDORADOSTONE.COM/FIREPLACES