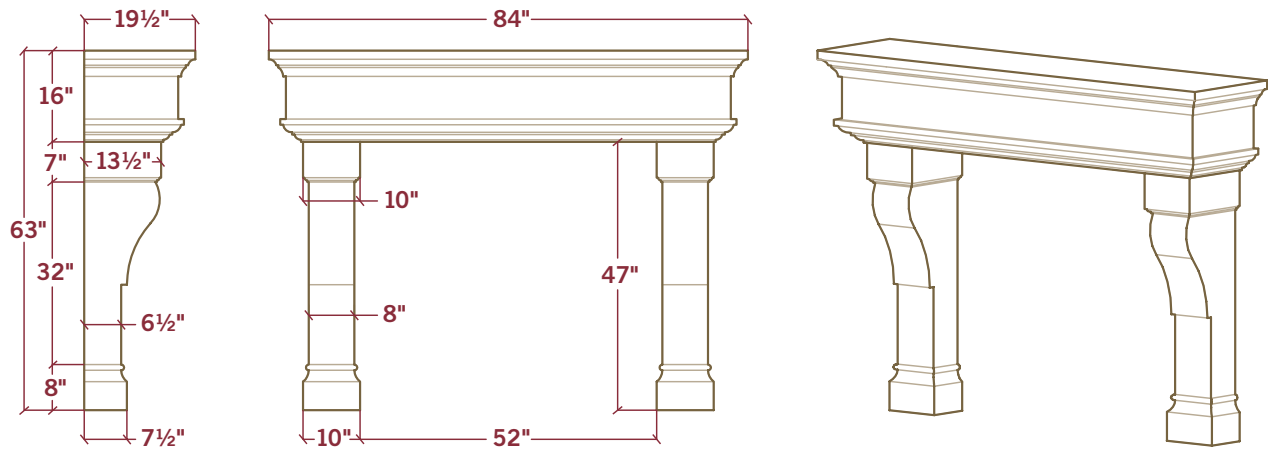


THE PALACIO™

D I M E N S I O N S



Eldorado Fireplace Surrounds Ship Complete with the Following Contents:

- Stone Mantel & Legs
- Ledger Board & Screws
for Easy Install
- 3 Trim Panels with
"matching color/finish"
- Large Tube of
Color-Matched Caulking
- 3 oz Bottle of Color Wash
for Touch-Ups
- Large Tube of Adhesive
- Shims

Each Surround Ships Pre-Sealed

Trim Panels: 1 @ 5" x 54" & 2 @ 5" x 42"



The majestic form of The Palacio draws you in with its impressive size and bold stature. Paired with Eldorado's Lucera Hillstone, The Palacio instantly transports you to a countryside manor. The commanding presence will easily become the focal masterpiece for any luxurious space.

Please contact us at **800.925.1491** for any questions regarding an Eldorado Fireplace Surround. Our experienced team can assist you with questions ranging from product information, installation and design recommendations. We also encourage you to explore our website at www.eldoradostone.com/fireplaces.



Fireplaces Forged with the Heritage of Craftsmanship™

1.800.925.1491 | WWW.ELDORADOSTONE.COM/FIREPLACES