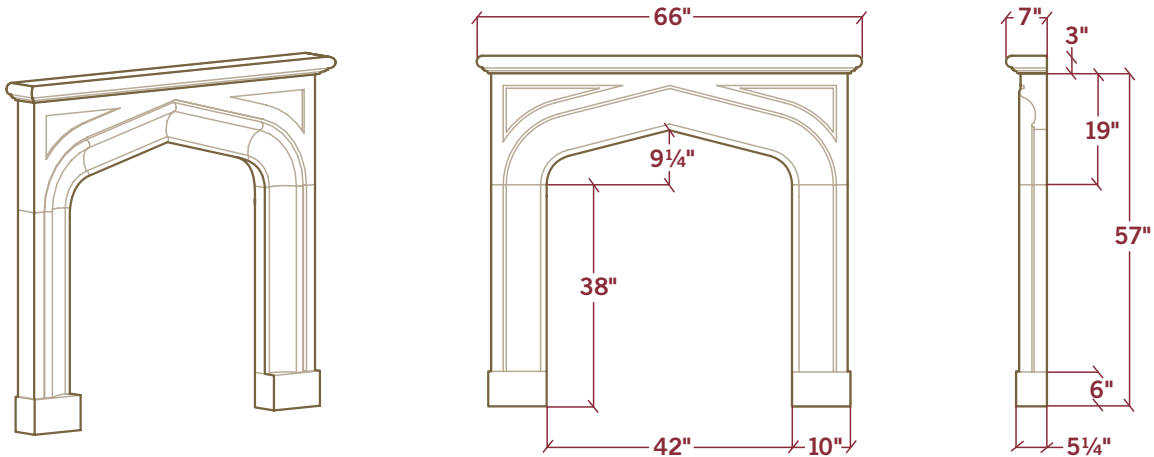


THE MARRAKESH™

D I M E N S I O N S



Eldorado Fireplace Surrounds Ship Complete with the Following Contents:

- Stone Mantel & Legs
- Ledger Board & Screws
for Easy Install
- 3 Trim Panels with
"matching color/finish"
- Large Tube of
Color-Matched Caulking
- 3 oz Bottle of Color Wash
for Touch-Ups
- Large Tube of Adhesive
- Shims

Each Surround Ships Pre-Sealed

Trim Panels: 1 Arched @ 11.25" x 42" & 2 @ 5" x 36"



The intricate carvings and vaulted opening of The Marrakesh engages the architectural vernacular of both Spanish Revival and elements of Moorish influence. The timeless design embodies a casual elegance and feeling of warmth that will be welcoming in your home for years to come.

Please contact us at **800.925.1491** for any questions regarding an Eldorado Fireplace Surround. Our experienced team can assist you with questions ranging from product

information, installation and design recommendations. We also encourage you to explore our website at www.eldoradostone.com/fireplaces.



Fireplaces Forged with the Heritage of Craftsmanship™

1.800.925.1491 | WWW.ELDORADOSTONE.COM/FIREPLACES