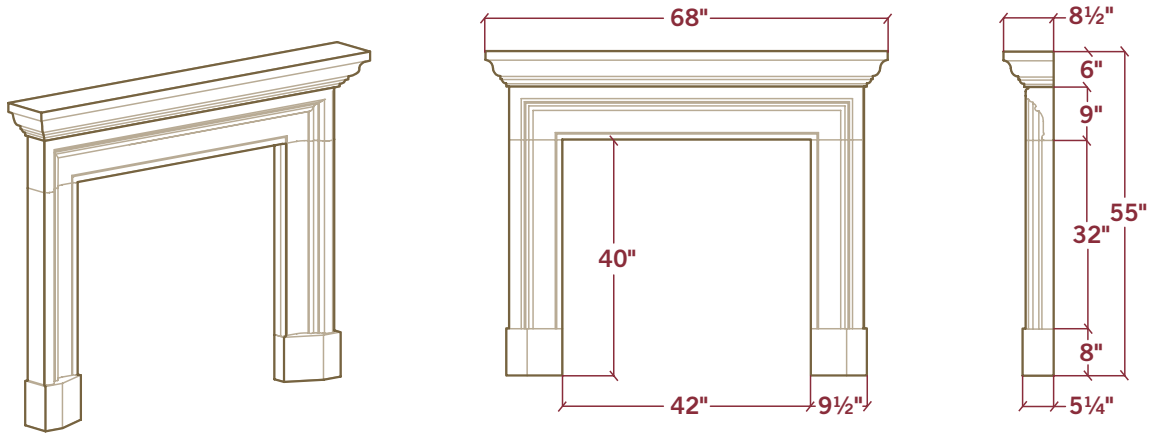


THE BRYANT™

D I M E N S I O N S



Trim Panels: 1 @ 5" x 42" & 2 @ 5" x 35"



An elegant surround that transcends all design styles with multiple layers of intricate, yet linear carvings. The base blocks further enhance its stature and solid stance.

Please contact us at **800.925.1491** for any questions regarding an Eldorado Fireplace Surround.

Our experienced team can assist you with questions ranging from product information, installation and design recommendations. We also encourage you to explore our website at www.eldoradostone.com/fireplaces.

Eldorado Fireplace Surrounds Ship Complete with the Following Contents:

- Stone Mantel & Legs
- Ledger Board & Screws for Easy Install
- 3 Trim Panels with "matching color/finish"
- Large Tube of Color-Matched Caulking
- 3 oz Bottle of Color Wash for Touch-Ups
- Large Tube of Adhesive
- Shims

Each Surround Ships Pre-Sealed



Fireplaces Forged with the Heritage of Craftsmanship™

1.800.925.1491 | WWW.ELDORADOSTONE.COM/FIREPLACES