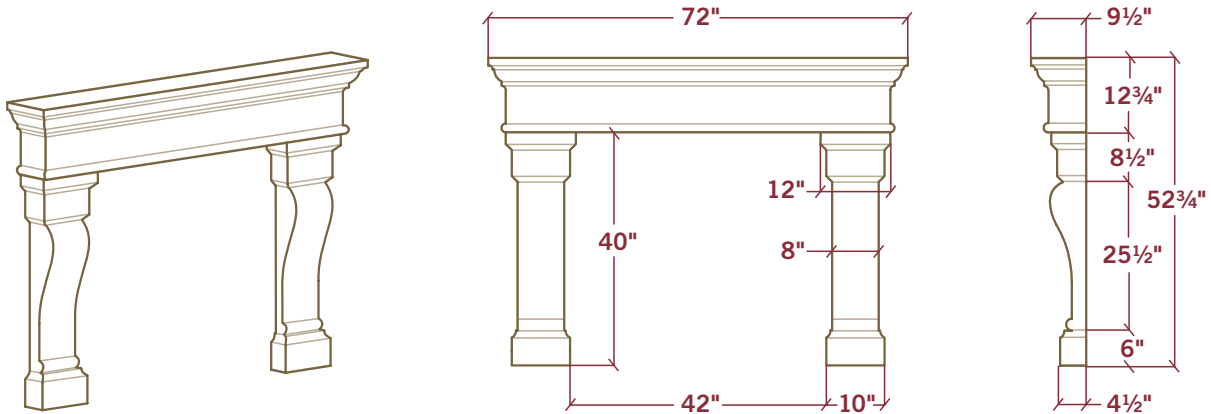


THE SOPHIA™

D I M E N S I O N S



Trim Panels: 1 @ 5" x 42" & 2 @ 5" x 35"



The understated elegance of The Sophia combines both straight lines & flowing curves. This long-established shape works well with traditional settings. Paired with a raised hearth, The Sophia beckons an after-dinner fireside chat.

Please contact us at **800.925.1491**

for any questions regarding an Eldorado Fireplace Surround. Our experienced team can assist you with questions ranging from product information, installation and design recommendations. We also encourage you to explore our website at www.eldoradostone.com/fireplaces.

Eldorado Fireplace Surrounds Ship Complete with the Following Contents:

- Stone Mantel & Legs
- Ledger Board & Screws
for Easy Install
- 3 Trim Panels with
"matching color/finish"
- Large Tube of
Color-Matched Caulking
- 3 oz Bottle of Color Wash
for Touch-Ups
- Large Tube of Adhesive
- Shims

Each Surround Ships Pre-Sealed



Fireplaces Forged with the Heritage of Craftsmanship™

1.800.925.1491 | WWW.ELDORADOSTONE.COM/FIREPLACES